

Cell Culture Slide Hybridwell™

(# 33101/ 33201/ 33301)

1. Description

Cell Culture Slide Hybridwell™ is a combination of conventional cell culture flask and single well slide, providing better and safer handling of samples.

Surface materials for Cell Culture Slide Hybridwell™

Glass: naturally charged, good growth surface for adherent cells

DLux: surface modified plastic with minimal autofluorescence

FLux: surface modified plastic film (188 μm thick), optimal for confocal microscopy

2. Features

- ❖ Convenient for microscopic observation
- ❖ Bottom materials: Glass/DLux/FLux (no surface treatment for glass bottom)
- ❖ Chamber color: Clear
- ❖ Easy open flip for chamber & slide disassembly
- ❖ No chemical adhesives used
- ❖ Packing trays can be used as incubation racks in CO₂ incubators.

3. Functional Test

Sterility	:	Passed
Cytotoxicity	:	Passed
Non-Pyrogenic	:	Passed
RNase/DNase free	:	Passed
DNA free	:	Passed

4. Product Range

Cat.No.	Chamber Color	Material (Chamber/Slide/Holder)	Growth Area/well (cm ²)	Working Volume/Well (ml)	Surface Treatment	Sterile	Packaging
33101	Clear	PS / Glass / PP	9.00	2.50~5.50	-	+	6 / 12
33201	Clear	PS / DLux / PP	9.00	2.50~5.50	+	+	6 / 12
33301	Clear	PS / FLux / PP	9.00	2.50~5.50	+	+	6 / 12

5. Certification

SPL Life Sciences hereby certifies that the product identified above, inspected to be in compliance with product quality specification and requirements as documented in our ISO 9001:2008 Quality Management System (K-QA-Q031478) in Korea.

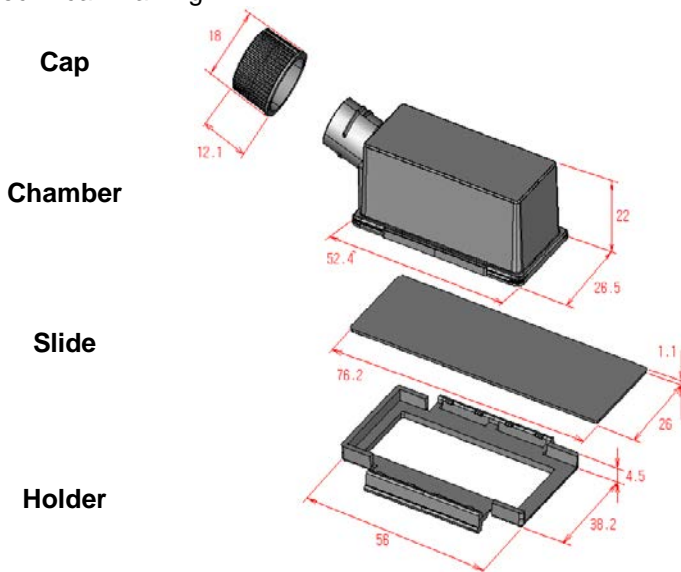
6. Specifications & Technical Drawing

(1) Cell Culture Slide Hybridwell™ / Glass & DLux bottom (# 33101, # 33201)

- Specifications

	Dimensions	Material (Resin)	Packaging
Cap	Width: 18.00 mm Height: 12.10 mm	Polyethylene (PE)	<ul style="list-style-type: none"> ▪ Pieces/Sleeve: 6 ▪ Pieces/Case: 12
Chamber	Length: 52.40 mm Width: 26.50 mm Height: 22.00 mm	Polystyrene (PS)	
Slide	Length: 76.20 mm Width: 26.00 mm Height: 1.10 mm	Glass & Copolymer	
Holder	Length: 56.00 mm Width: 38.20 mm Height: 4.50 mm	Polypropylene (PP)	
Well Dimension: 19.00 x 46.60 mm Volume per Well: 2.5 ~ 5.5 ml Growth Area: 9.00 cm ²			

- Technical Drawing

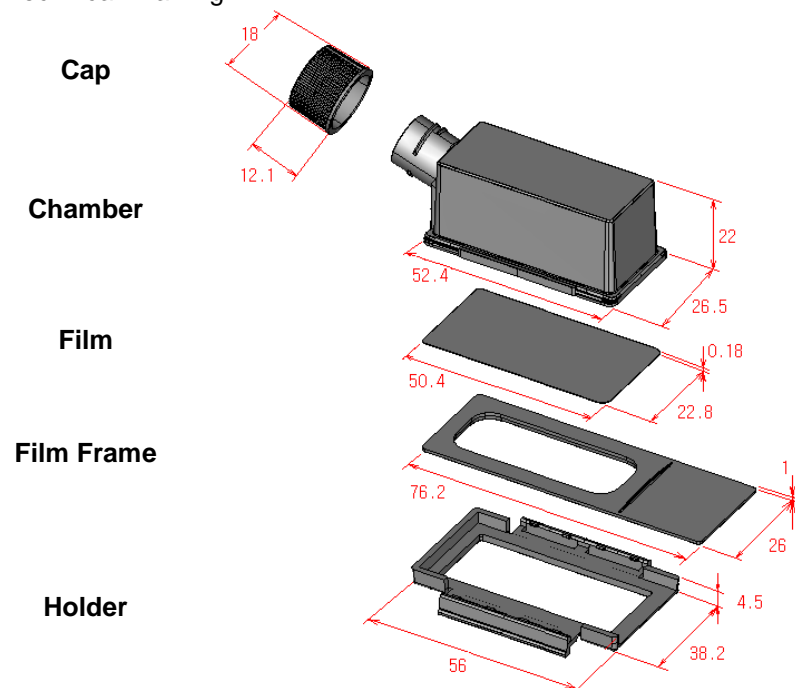


(2) Cell Culture Slide Hybridwell™ / FLux bottom (# 33301)

- Specifications

	Dimensions	Material (Resin)	Packaging
Cap	Width: 18.00 mm Height: 12.10 mm	Polyethylene (PE)	<ul style="list-style-type: none"> ▪ Pieces/Sleeve: 6 ▪ Pieces/Case: 12
Chamber	Length: 52.40 mm Width: 26.50 mm Height: 22.00 mm	Polystyrene (PS)	
Film	Length: 50.40 mm Width: 22.80 mm Height: 0.188 mm	Copolymer	
Film Frame	Length: 76.20 mm Width: 26.00 mm Height: 1.00 mm	Acryl	
Holder	Length: 56.00 mm Width: 38.20 mm Height: 4.50 mm	Polypropylene (PP)	
Well Dimension: 19.00 x 46.60 mm Volume per Well: 2.5 ~ 5.5 ml Growth Area: 9.00 cm ²			

- Technical Drawing



www.spllifesciences.com

For technical assistance, contact SPL R&D Center at:

Tel: +82-31-533-4800; Fax: +82-31-533-1430; e-mail: spl@ispl.co.kr

To place an order, contact your local distributor or

Tel: +82-31-533-4800; Fax: +82-31-533-1430; e-mail: business@ispl.co.kr

SPL-TDS-CCSH

For Research Use Only. Not intended for use in diagnostic or therapeutic procedures.
© SPL Life Sciences Co., Ltd., Version 3, June 27th, 2016